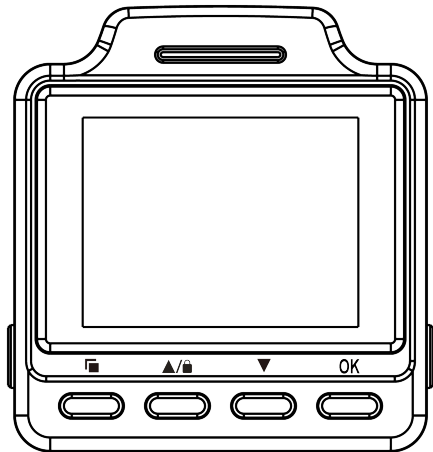


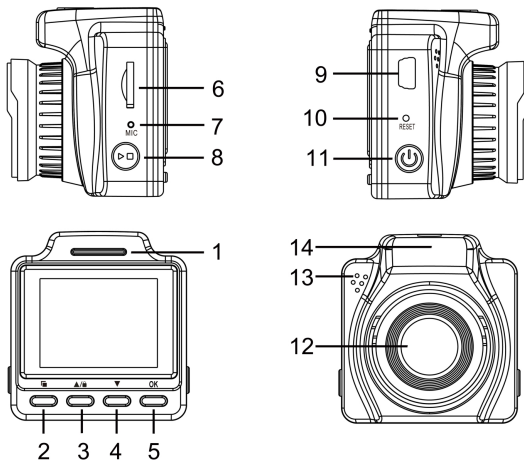
User Manual

BlueSkySea B2K Mini Dashcam



Thank you for choosing your BlueSkySea B2K dash camera. Please read this user manual carefully before using the camera, then keep the manual safe for future reference. Please feel free to contact our customer support team by email if you need any assistance: support@blueskysea-inc.com

Structure Diagram



1) Indicator Light

3) Up Button

5) OK Button

7) MIC

9) Mini USB Interface

11) Power Button

13) Speaker

2) Menu Button

4) Down Button

6) Memory Card Slot

8) Mode Switch

10) Reset Button

12) Lens

14) Mount Slot

Button and Function Description

Mode	Button	Purpose / Behavior
Standby mode (Not recording)	Menu	Short press: Enter/Exit the menu.
	Up	N/A
	Down	Short press: Switch Wi-Fi On/Off
	OK	Short press: Start Recording
	Mode	Short press: Enter Playback Mode;
	Power	Short press: Screen Off/On; Long press: Power camera off.
Recording Mode (Wi-Fi disabled)	Menu	N/A
	Up	Lock current footage manually
	Down	Short press: Switch Wi-Fi On/Off
	OK	Short press: Stop Recording
	Mode	N/A
	Power	Short press: Screen Off/On; Long press: Power camera off.
Playback Mode	Menu	Lock/Delete current video clip/ Back to previous menu.
	Up	Short press: Menu up.
	Down	Short press: Menu down.
	OK	Confirmation/Play/Pause.
	Mode	Short press: Exit Playback mode
	Power	Short press: Screen Off/On; Long press: Power camera off.

Menu Settings Mode	Menu	Short press: Exit menu/Back to previous menu.
	Up	Short press: Menu up.
	Down	Short press: Menu down.
	OK	Short press: Menu confirmation.
	Mode	N/A
	Power	Short press: Screen Off/On; Long press: Power camera off.

Recording Mode (Wi-Fi enabled)	Menu	N/A.
	Up	N/A.
	Down	Short press to switch WiFi on
	OK	(If smartphone app is connected) Short press to switch WiFi Off
	Mode	N/A
	Power	Short press: Screen Off/On; Long press: Power camera off.

LED Indicators

LED Status	Indication
Flashing Blue	Camera in recording mode.
Solid Blue	Camera in standby mode, not recording.

Voice Event List:

Voice event	Indication
"Please insert SD card"	No microSD memory card detected – please insert one.
"BEE-BEE-BEE"	MicroSD memory card writing speed too slow, please replace with a higher speed card, class 10 or above.
	Under non-loop recording mode, the camera has detected card memory is full, please format the card or change to an empty card. SanDisk Ultra A1 Card is recommended
"lock file"	The camera has locked the current video clip due to the lock button being pressed or a G-sensor activation.

Basic Operation

Power on/off:

- 1.The camera will power on automatically shortly after the ignition is switched on.
- 2.The Camera will power off automatically when ignition is switched off.
- 3.For manual power on/off, press and hold the Power button for 5 seconds.

Start recording:

- 1.The camera will start recording automatically shortly after the ignition is switched on. The Blue LED indicator light will flash while actively recording.
- 2.Short press the OK button to start recording manually when in Standby mode.

Stop recording:

- 1.The camera will stop recording automatically when the ignition is switched off.
- 2.Short press the OK button to stop recording manually when in recording mode.

Take a photo:

- 1.In recording mode: Short press the "OK" button to stop recording.
- 2.Short Press "Mode" to enter the photography mode.
- 3.Short Press "OK" button to take a photo.
- 4.Short press "Mode" to exit the photography mode.

Lock video clip:

- 1.In recording mode: Short press the "UP" button to lock a video clip manually. This will lock the currently recording video file with 30 seconds length.
- 2.Video clips will be locked automatically when the G-sensor is triggered. The sensitivity of the G-Sensor can be adjusted in the settings by pressing the "Menu" button.

Video playback

Playback on camera:

1. Press OK button to stop recording.
2. Short press the Mode button to enter Photo or Video Playback mode.
3. Short press Up or Down button to select a video recording, and then press the OK button to playback the selected video or photo.

Playback on PC:

1. Remove the microSD card and Connect to the computer USB socket via a microSD card reader. Once connected, open a file browser and navigate to the SD card.
2. There will be three file folders when you access the memory card on the computer: a MOVIE (Normal loop recording video files) folder, a EMR (Locked video files) video folder and a PHOTO (Video snapshot files) folder.

You can obtain information from the video file name, for example:

20200412171504_000001.MP4

20200412171504_000002.MP4

20200412171504" indicates date and time

"000000" "000001" indicates video serial numbers

"EMR" file folder contains any videos that have been locked.

"mp4" is the video file extension (type of file).

Menu Settings:

Resolution: Sets the video mode resolution.

Default 2K resolution; 4K and 1080P, 720P resolution optional!

Loop Recording: Off | 1 | 3 | 5 | 10 minutes.

Selects the loop recording file length.

Once the microSD card is full, the camera will automatically replace the oldest files with new files in a loop to allow continuous

Note that locked files are protected and will not be replaced, you must manually clear them off the microSD card when they are no longer required to avoid the card filling up with only locked files. To avoid the card filling up and thus preventing new recording, this option can be turned off.

WDR (Wide Dynamic Range): Off | On

Dynamic range is the ratio of the brightest portion of the image to

WDR enables the camera to record more details in the shadows while not over-exposing the bright areas. The downside is reduced contrast, the image may look less natural but records more information.

Exposure Comp: -2.0 to +2.0 default 0.0

Adjusts the value of the EV (Exposure Compensation), making the image darker or brighter. This may be useful if the automatic exposure is affected by the front of your vehicle being particularly bright or dark.

Record Audio: Off | On

Turns on/off the microphone (Mute).

Date Stamp: On | Off

Overlay the time and date on the recorded video.

Date / Time: Set system date, time and date/time display layout.

Use Up or Down buttons to set each character, Press OK button to move to the next character, and press the Menu button when complete.

Car Number: Overlay the vehicle license plate number on the recorded video footage to identify which vehicle recorded the video.

Use Mode button to edit the car Numbers, press Up or Down buttons to set each character, Press OK button to move to the next character, and press the OK button when complete.

Frequency: 50Hz | 60Hz

This option should be set according to the power supply specification used in your country or geographical region. For example, USA users should select 60Hz, Europe 50Hz.

Choosing the correct value will reduce flickering caused by incandescent/fluorescent lamps at night time. LED traffic lights may still flicker as these use different frequencies.

Beep Sound: On | Off.

Controls all buttons notification sounds, if you set Beep Off, then you can still hear the voice prompt warnings. Voice prompt warnings are useful to notify the driver of microSD card errors, missing microSD card etc.

Format: Formats the microSD card ready for use with the camera.

Warning: This operation will delete all existing data on the micro SD card, including locked files and normal looping recording files! Make sure you back up any important files first.

Default Setting: Resets all settings to the factory default settings.

Version: Displays the version number of the currently installed firmware.

Parking mode: Off | On

(Only works with optional hardware kit connected)

When the engine is turned off, the camera will enter parking mode and stop recording, if an impact is detected by the G-sensor then the camera starts video recording again automatically to record the incident. The whole event footage (Before and After the event) with 30 seconds length will be saved in the memory card!

Note: The hardware kit is not a standard accessory for the B2K camera, it must be purchased separately.

Notes:

Easiest method for setting the time is to use the smartphone app to synchronize the camera time with your smartphone.

G-Sensor: Off | Low | Middle | High Sensitivity, default: Middle
The G-sensor measures shock forces and locks the current video file automatically when the set threshold is exceeded. The settings from “low” to “high” determine the amount of force needed to lock the file.

Note: Locked files must be manually deleted periodically to prevent the microSD card filling up with locked files.

Motion Detection : Off/On

Motion detection is the process of detecting a change in the position of an object relative to its surroundings or a change in the surroundings relative to an object. Camera only takes recording after it detects an object moving.

*** It will cause non-looping recording if you enable the motion detection function;**

Timelapse Record: Off/On

Time-lapse photography is a technique whereby the frequency at which film frames are captured (the frame rate) is much more spread out than the frequency used to view the sequence. When played at normal speed, time appears to be moving faster and thus lapsing.

This dashcam applies for 1fps photography, an image of a scene was captured at 1 frame per second.

*** It will cause non-looping recording if you enable the motion detection function;**

Screen Save: Off | 1 | 3 Minutes Default 1 Minute

The LCD screen turns off if not used for this time period, if Screen Save is set to Off then the LCD screen will always be on. Having the screen turn off will avoid distracting the driver unnecessarily, especially at night.

WIFI Switch On/Off:

1. In recording mode or in standby mode, press "down" button to switch WIFI function On.
2. The Camera screen will display the Wi-Fi SSID and Password required by your smartphone:
SSID: NVT-CARDVXXXXXXXXXX
PWA2:12345678
3. If there is no Wi-Fi connection with your smartphone after SSID broadcasting, short press the Up or Down or OK buttons to disabled Wi-Fi.
4. If Wi-Fi is connected with your smartphone, you need to press the OK button to disable Wi-Fi.

Smartphone APP Operation:

APP Download:

- IOS users: Search for Roadcam in the APP Store.
- Android users: Search for Roadcam in the Google Play Store.

WIFI Connection:

1. Long press the down button to switch on Wi-Fi. (Once the Wi-Fi is on, the Wi-Fi status icon, SSID and password appear on the camera LCD screen.)
2. Enter the smartphone WLAN(Wi-Fi) settings menu, select the B2K dash camera SSID: NVT_CARDVxxxxxxx and enter the password 12345678 to continue.
3. When the camera is connected with your smartphone, your smartphone MAC address will list on the camera screen
4. Open the App Roadcam, Click the "camera" icon to connect the dash cam B2K to the APP.
5. When the camera's Wi-Fi is disconnected with your phone, and display "Mobile Phone not connect" on the camera screen.
6. Long press the Down button to disable Wi-Fi function on camera. The Wi-Fi icon will be locked, and camera will be back to standard video recording mode automatically.

APP Control:

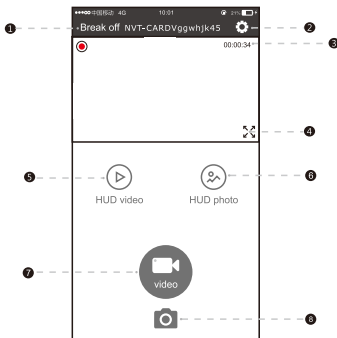
In the APP Preview mode, press "video recording" button to start/stop video recording;

In the APP Preview mode, press "photo snap button" to capture photo;

In the APP Preview mode, press the menu button on the top right corner to enter main menu setup;

In its sub-menu setup, you can set up its resolution; Sound recording On/Off; Video partition 1/3/5mins; G-sensor level Low/Middle/High; Format memory Card etc.

1. Disconnect dashcam
2. Main menu setting
3. Recording time indicator
4. Full-screen display
5. Video playback
6. Photo playback
7. Video recording
8. Switch photo snap



1 In the APP Preview mode, press "HUD video" button to playback videos; press "HUD photo" button to view photos;

2 Normal looping recording video footages are stored in the loop recording section ,and all locked video footages are stored in the emergency file folder.

3 Short press to preview video footage on your smartphone, long press the icon to download/delete video footages on your smartphone.

4 In the APP Preview mode, press the Disconnect button in the top left corner to return to the dash camera connection interface.

Chip	Novatek96670
CMOS sensor	IMX335, 6G Lens,135°wide angle
Video resolution	4K;2K;1080;720P
Screen	1.5 inches screen
Video Codec/Format Chip	H. 264 / Mp4 Mp4 file extension.
Audio	Built in Microphone/Speaker
Memory card capacity	MicroSD card, support 256GB max, SanDisk Ultra A1 Card is recommended. (Not included in package)
Voice indicator	English language voice indicator
WIFI Connection	Supported
G-sensor	Supported
Parking mode	Supported (Hardwire kit not included in package).
Loop recording	Supported:1/3/5/10 minutes per segment.
Backup power source	Super capacitor (No lithium battery). (Ensures all video is written to memory card on power failure.)
Working temperature	-20°C- +70°C
Storage temperature	-35°C -+75°C
Size	45*60*40mm
Net Weight	50g

FAQ

Under normal operating conditions, if there is a problem with the product, please refer to the following solutions.

Question: Can't take pictures or video

Solution: Check if the TF card has enough space and if it is locked.

Question: It will stop automatically when recording

Solution: As the HD video data is huge, please use a high-speed TF card compatible with SDHC. The high-speed TF card will have a C4 or C6 logo.

Question: When replaying pictures and videos, a "file error" prompt appears

Solution: An error occurs when the TF card stores data, and the photo files are incomplete. Please use the camera "format" function to reformat the TF card.

Question: The captured image is foggy

Solution: Please check the lens for dirt and fingerprints; before shooting, wipe the lens with lens paper.

Question: When shooting scenes such as sky and water, the image is very dark

Solution: The automatic exposure function of the camera will be affected in scenes with high contrast, which can be corrected by adjusting the "EV" value in the machine setting menu.

Question: In cloudy days and indoor light sources, the color performance is not perfect

Solution: Please check the machine "white balance" function is set to automatic.

Question: There are horizontal stripes in the image

Solution: This is caused by setting the wrong "light source frequency". Please set it to "50Hz" or "60Hz" according to the local power supply frequency.

Question: Crash

Solution: After crashing, please short press the reset button to resume and restart.

Question: What memory card is recommended to install?

Solution: SanDisk Ultra A1 Card is recommended, SanDisk High Endurance card is not recommended because the SanDisk High

Packaging Listing

- 1 x B2K HD Dashcam
- 1 x MINI bracket
- 1 x 5V 1.5A Car Charger
- 1 x USB Cables
- 1 x User Manual



MADE IN CHINA