

# PORTABLE POWER STATION

USER MANUAL

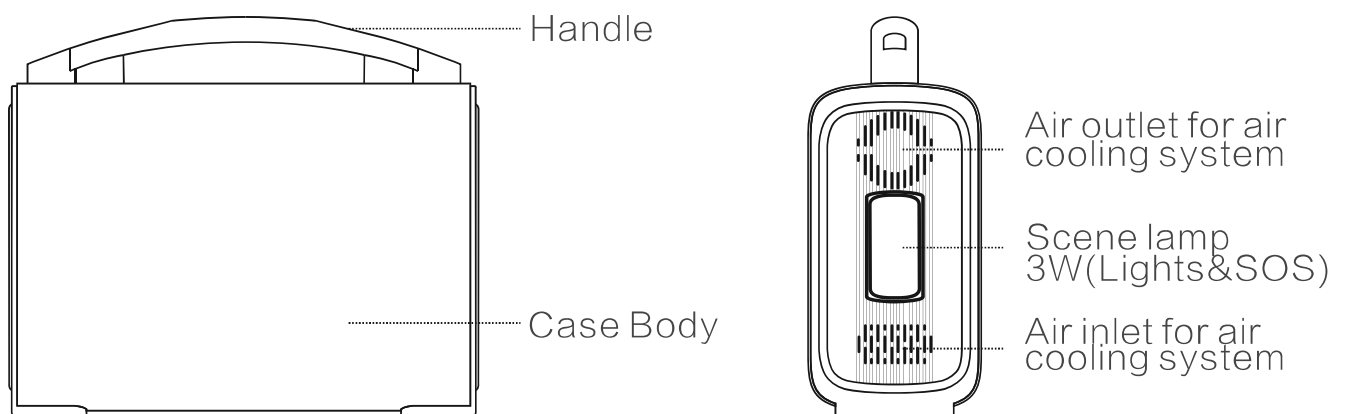
# ABOUT PRODUCTS

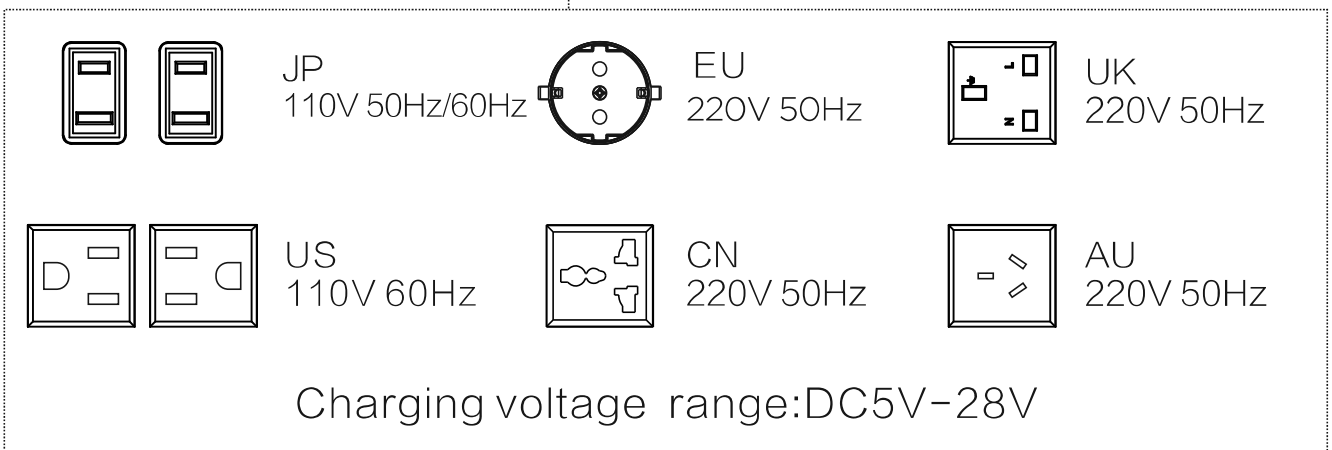
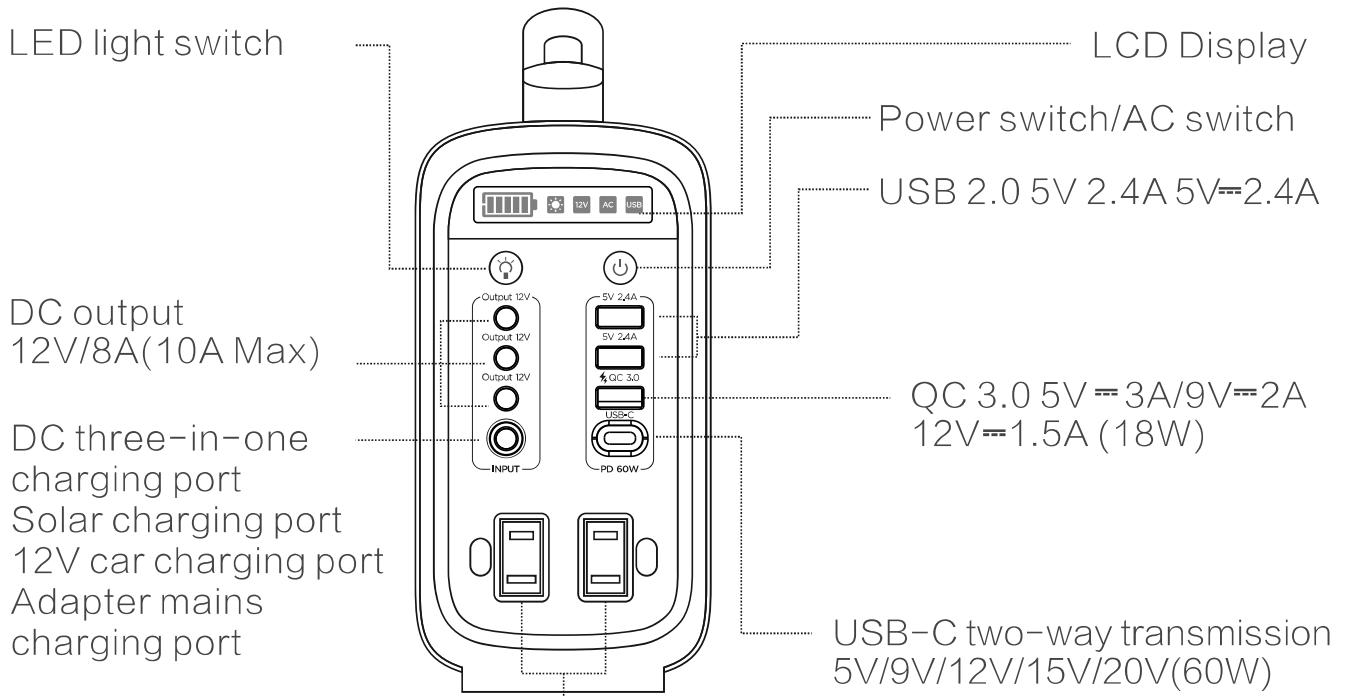
A. The specifications and pictures in this manual are as reference only.

B. This product designed to use in emergency situations, and cannot replace the standard AC power supply of household appliances or digital products.

C. AC power plug out, output voltage, and adapter will vary according to the customer's Country, and region standard voltage and power plug out.

D. This product uses an air-cooled system to dissipate heat. When using this product, do not block the air inlet and outlet of the air-cooled system.





## CHARGE THIS PRODUCT

### ⚠ Notice

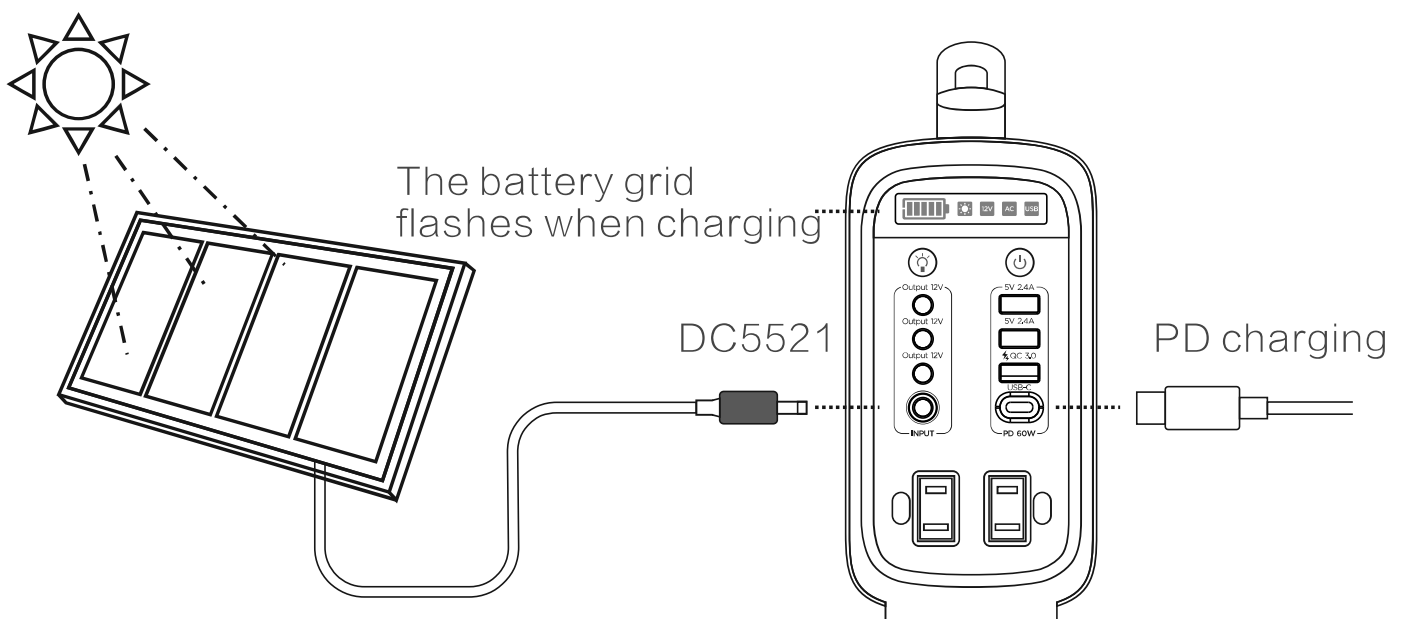
For safety sake, there is the high temperature (122° F) and low temperature (23° F) protection designed into this product. In case of high power discharge, the temperature of cells might be higher than ( 122° F ). In this case, products could not be chargeable. We have to wait until the cells temperature is less than 122° F for normal charging process of this product.

## 1. LCD battery level display

The LCD power grid display is divided into 5 grids, corresponding to about 1%~20%, 20%~40%, 40%~60%, 60%~80%, 80%~100% of the remaining power. When the product is used, the battery level will gradually disappear from the display, and the remaining battery display bar will be the percentage of remaining battery power. When charging the product, the battery indicator will flash once every 1 second, which indicates that the current charging state is normal. When the product is fully charged, all power grids will light up and show a constant light display state.

Note: For safety reasons, this product is designed with 131° F high temperature and low temperature charging protection. When the product is discharged at the maximum power, the internal battery temperature of the product may be higher than 131° F, and you must wait for the temperature to cool before charging. When the product has a low battery, the last battery indicator LED starts flashing. When the product battery is drained out, all the battery indicators are OFF and the product automatically shuts down.

## 2. Solar energy charger for the product



- A. Place the solar panel in a place where it can be directly exposed to strong enough light, and adjust the appropriate angle.
- B. Connect the output port of the solar panel to the input port of the product to charge. The battery display grid on the screen flashes to indicate normal charging. When all battery display grids stop flashing and stay on, it means the product is fully charged. After the product is fully charged, please unplug the solar charging port on time.

 **NOTES**

.....

The open circuit voltage of solar charger must be lower than 28V. If it is higher than 28V, the charging status will not be displayed. Maximum support 100W power solar panel charging.

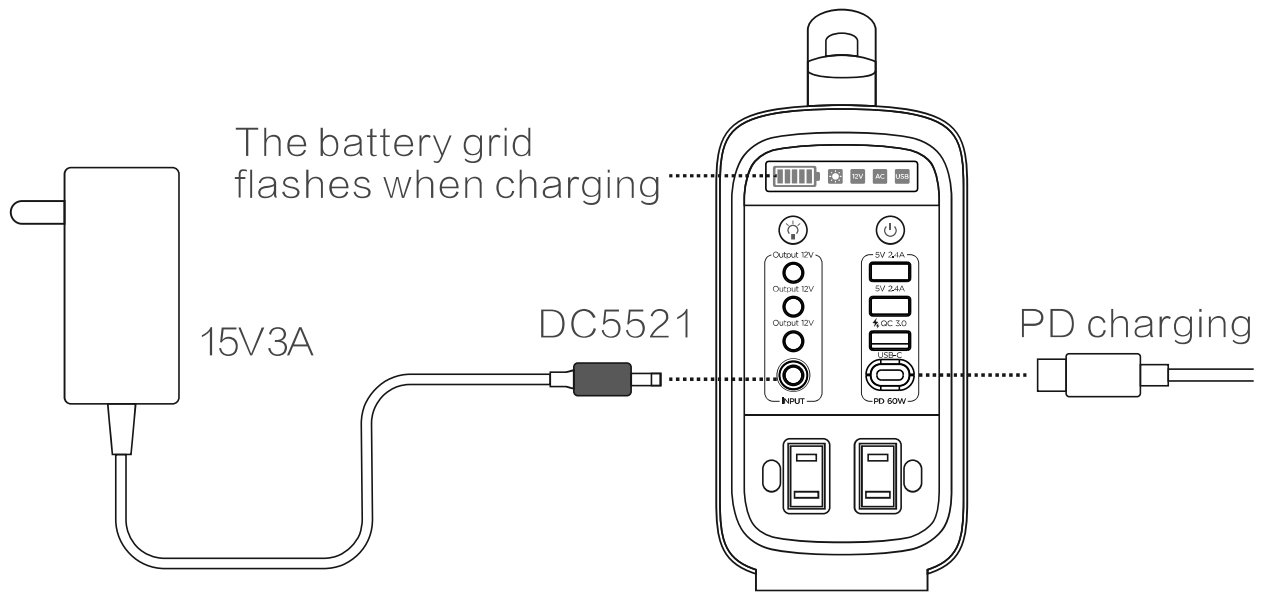
The actual charging efficiency of solar energy will vary greatly due to weather, ambient temperature, sunlight intensity, the angle of the solar panel facing the sunlight and other factors. The actual charging efficiency shall prevail.

DC charging and PD charging can be used at the same time, which can speed up the charging speed to the greatest extent.

### MPPT Technology

This product has built-in MPPT (Maximum Power Point Tracking) technology, which can be charged efficiently through solar panels. MPPT technology is designed for use in wind turbines and photovoltaic (PV) solar systems to maximize power extraction under all conditions. Through the MPPT technology, the product can compare the output voltage of the solar panel and the battery voltage in real time, and then intelligently identify the best power output for charging to maximize the battery charging efficiency.

### 3. The mains AC adapter charges the product



A. Connect the DC end of the adapter to the DC input port of the machine. The power display grid on the screen flashes to indicate normal charging. When all power display grids stop flashing and remain on, it means that the product is fully charged. After the product is fully charged, please unplug the adapter in time.

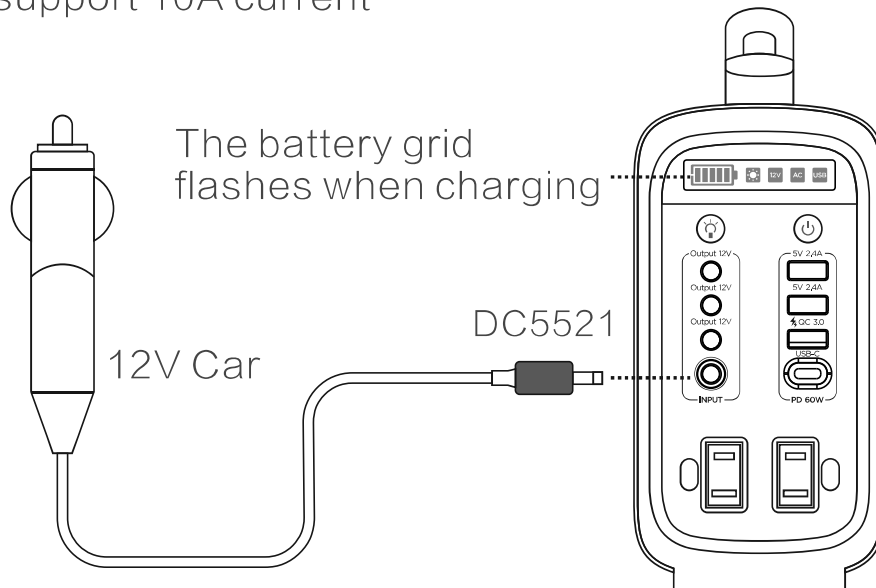
B. It takes about 2.7 hours (240Wh)/3.6 hours (320Wh) to fully charge the machine at the same time using the original power adapter and PD fast charge.

#### NOTES

DC charging and PD charging can be used at the same time, which can speed up the charging speed to the greatest extent.

## 4.12V Car Charger to charge this product

12V Car charger connector  
Maximum support 10A current



A. Plug the original car charger into the 12V car cigarette lighter socket, and plug the other DC end into the DC input port of the product.

B. The maximum output current of the car charger needs to be within 10A to protect the safety of the car and this product.

C. The battery display grid on the screen flashes to indicate normal charging. When all the battery display grids stop flashing and stay on, it means the product is fully charged. After the product is fully charged, please unplug the car charger on time.

### **NOTES**

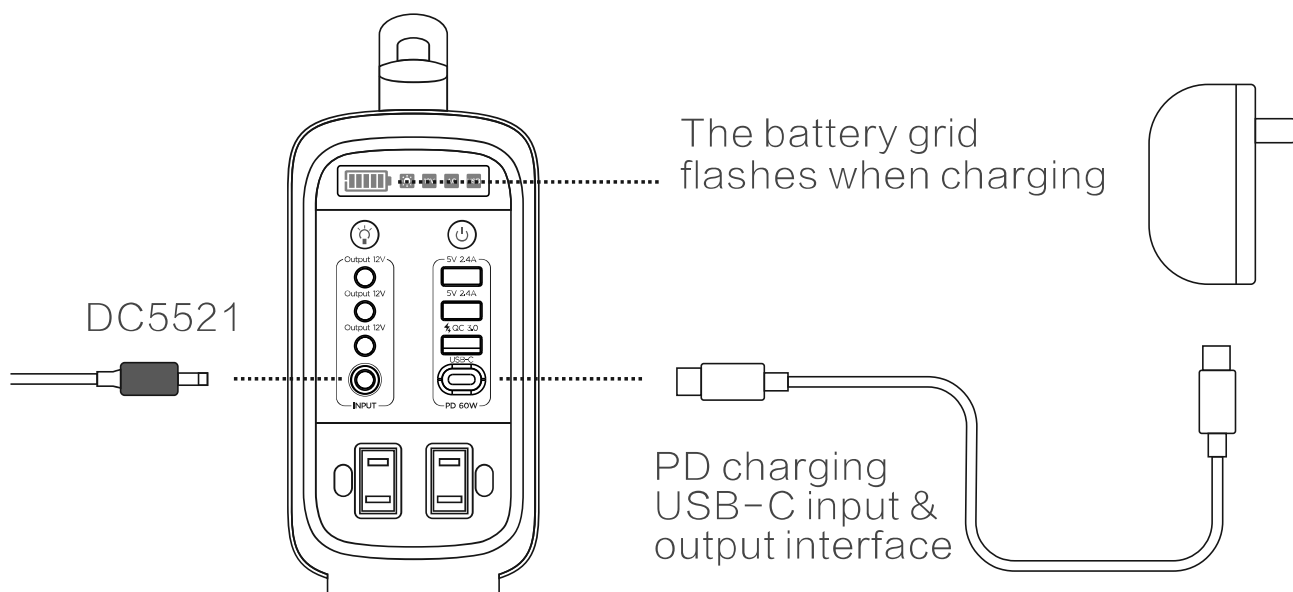
.....

To avoid car battery loss, you should charge the product through the car cigarette lighter when the car engine is started. This function is only suitable for cars with 12V output voltage cigarette lighter.

## Protection mode (DC input)

Low-voltage protection: If the voltage of your car is too low, for the safety of you and the product, the low-voltage protection system will be activated intelligently and the product will not be charged.

## 5. Charge Through Your TYPE-C



A. Use USB-C to charge the device, which can support 5V 3A, 9V 3A, 12V 3A, 15V 3A, 20V 3A (maximum support 60W charger for this product).

B. The USB-C charging and discharging interface adopts the Cypress chip design imported from the United States to ensure the quality and stability of the product.

C. When using PD fast charge to charge this product, the charging head and charging cable must support the PD fast charge function at the same time.

D. The battery indicator on the screen flashes to indicate normal charging. When all battery indicators stop flashing and stay on, it means the product is fully charged. After the product is fully charged, please unplug the charger on time.

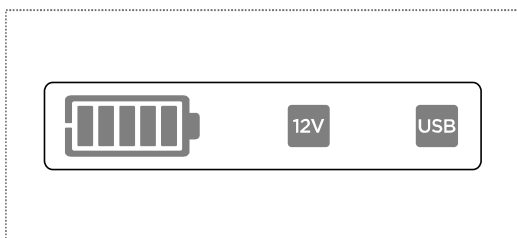
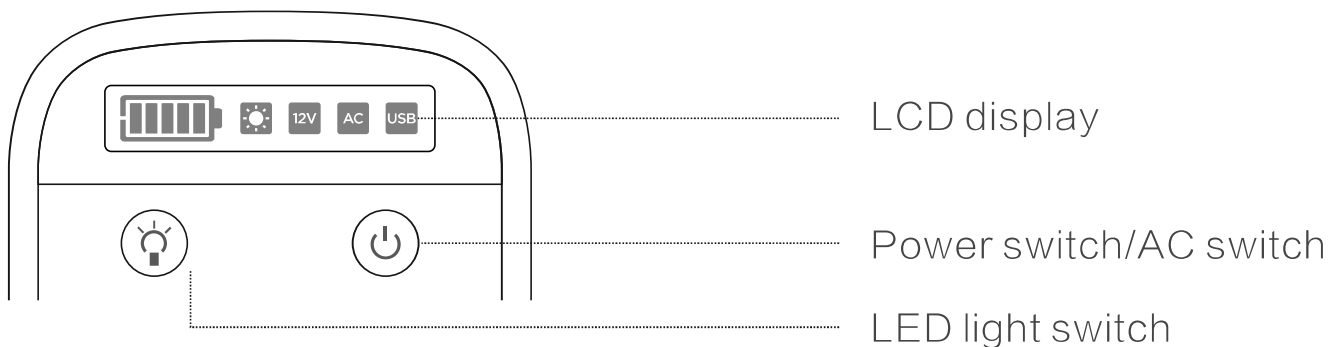
it means the product is fully charged. After the product is fully charged, please unplug the charger on time.

## NOTES

DC charging and PD charging can be used at the same time, which can speed up the charging speed to the greatest extent!

## How to use

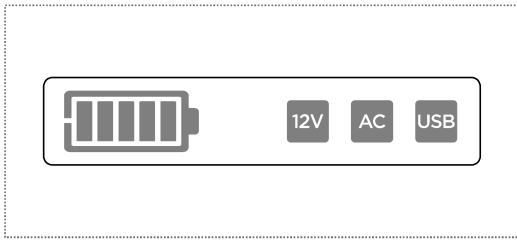
### 1. Switch/button function



#### A.Boot (enable DC and USB functions)

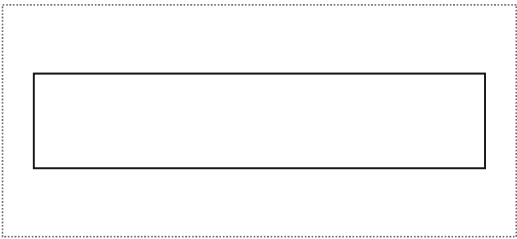
Press and hold the power button for 2 seconds to turn it on. Turn on the DC and USB functions at the same time.

If the system detects that there is no load, the product will automatically shut down within 3 minutes.



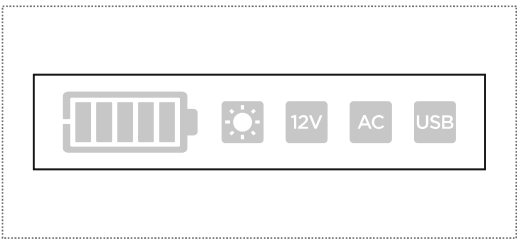
## B. Activate AC function

After powering on, short press the power button again to turn on the AC function (at the same time the AC icon on the screen lights up). When the AC output is not in use, short press the power button to turn off the AC output.



## C. Shut down

Press and hold the power button for 2 seconds to manually shut down.



## D. Combination keys

The switch and the LED lighting switch can form a combination key. The combination of keys can be effective for a long time after setting.

DC sleep function switch:

Under normal circumstances, the DC interface and USB interface (when the current is less than 100mA) will automatically shut down after 3 minutes under no load and enter the sleep mode. If you don't want to enter sleep, you can press the LED switch while holding down the power switch, and immediately release the LED switch, the screen flashes twice, that means the no-load automatic shutdown function is turned OFF. The same operation (the screen flashes once) can turn ON the DC sleep function again.

AC frequency switching:

Press and hold the power switch while holding down the LED switch. After switching ON and OFF for 3S, release the LED switch first, and the screen flashes twice slowly to switch to 60Hz. The same operation (the screen flashes once) can be switched to 50Hz. The factory default setting is 50Hz. Note: Fast flashing: 0.5S/time, slow flashing: 1S/time.

## 2. LED lighting

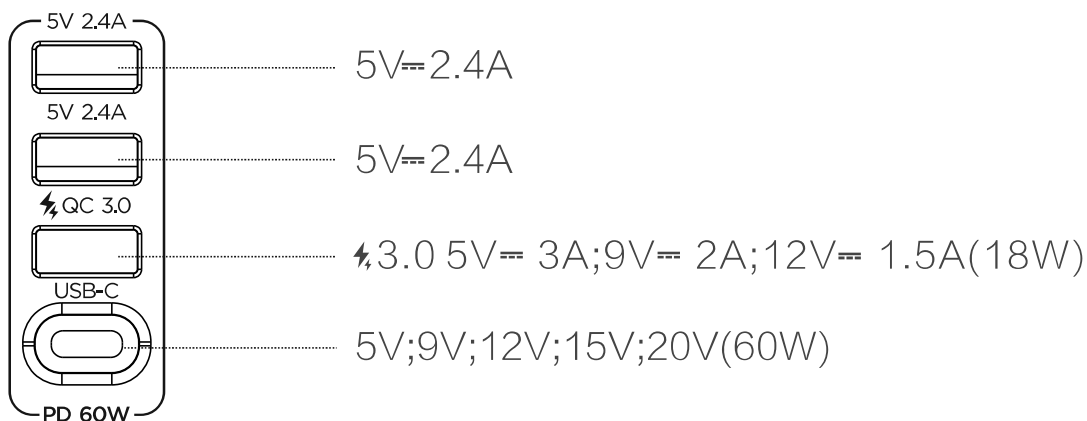
- A. Short press the LED light button to turn on and off the LED light, long press again to switch the light mode to SOS flash mode.
- B. LED lights provide lighting for camping, field exploration, etc., and can use SOS flash mode to send out a distress signal in an emergency.



### **Warning!**

DO NOT stare the light straightly!

## 3. USB&PD output function

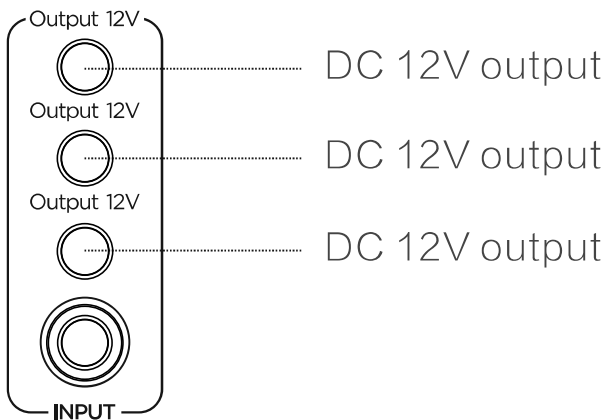


- A. The two USB ports on the top of the product support a single output of maximum 2.4A current. Intelligently identify charging equipment and automatically allocate the maximum current to provide fast charging. And has an automatic compensation function.
- B. USB 3.0 is a fast-charging interface, compatible with QC3.0, and supports up to 18W output.
- C. The PD transmission port is a two-way transmission interface,

which supports up to 60W input and output. At this time, it needs to be equipped with a charging head with a power of 60W or more and a charging cable with a current of 3A or more.

D. When the detected output current of small electrical appliances is less than or equal to 80mA, this product will automatically shut down within 3 minutes. If you need to normally open to supply power to low-power electrical appliances, please press the LED light button and the power button to switch at the same time.

#### 4. DC Output



A. Three DC5521 (diameter 5.5mm) 12V interfaces provide 10A (single port maximum 10A) output current, and intelligently allocate the maximum current according to the external equipment to ensure the most suitable current to power the equipment.

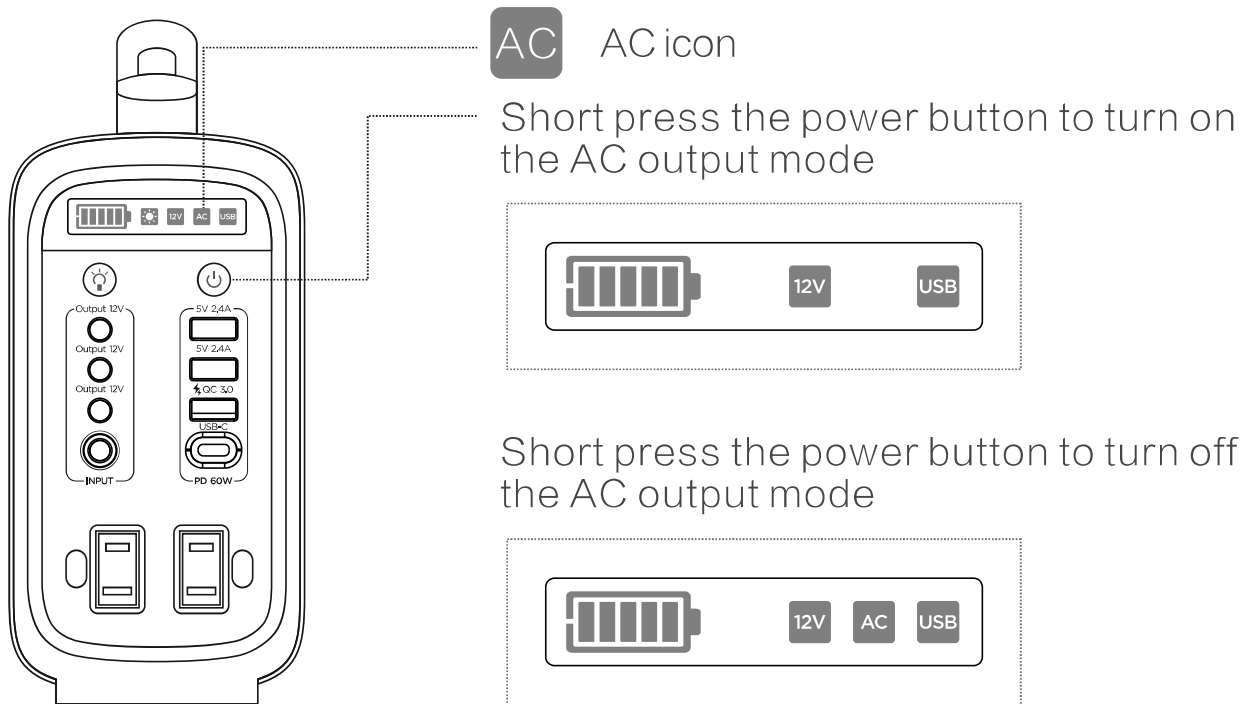
B. Each DC5521 port can be connected to a cigarette lighter output (the power requirement does not exceed 120W).

#### Protection mode(DC outputs)

Short circuit protection:When the external equipment is short-circuited, the product will start the automatic protection function, and at that time, the DC power plug out will stop supplying power to the equipment output. After the short circuit is removed, short

press the power button to reset and restart the product in order to resume normal DC operation.

## 5.AC Output



A. Short press the power button to enter the AC mode. Connect the power plug of the AC appliance to the AC plug out socket of the product to supply power to the equipment.

B. Please make sure that the power of the connected AC appliance does not exceed 200W.

C. When the charging or discharging power of this product is too large and the internal temperature of the host is  $\geq 140^{\circ}$  F, the air-cooled system will automatically start, and when the temperature drops, the air-cooled system will automatically stop.

## Protection mode (AC output)

A. This product is designed with protection functions such as under-voltage protection, overload protection, short-circuit protection, and over-temperature protection. Double isolation circuit is adopted, which is safe, reliable and efficient.

B. When the product is overloaded, over-temperature, or short-circuited, the AC icon on the screen flashes, and then the machine automatically shuts down to ensure safety.

C. When the product is in a protected state, please pull out the device to remove the short circuit, and short press the power button in order to resume normal operation.

## PRODUCT PARAMETER

### Battery specifications

Cell Type	LiFePO4
Battery capacity	GT200: 240Wh(12.8V/18.75Ah)
	GT200: 320Wh(12.8V/25Ah)
Cycle life	2000 Cycles to 80% Capacity
Standby life	Charge the product every 3 months

### Interface parameters

USB Port(Output)	1* 1QC3.0 3.05V $\leq$ 3A, 9V $\leq$ 2A, 12V $\leq$ 1.5A(18W) 2* USB Output 5V $\leq$ 2.4A Max
Type-C Port(In/Output)	5V;9V;12V;15V;20V(60W)
5.5mm Port(Output,5mm)	3*12V, up to 8 A (120W Max)
AC Port(Output)	100-120Vac 60Hz 200W(300W Max)
Charging Port (Input, 5.5mm)	Adapter: DC 15V $\leq$ 3A Solar Panel:MPPT 18V $\leq$ 3A,28V $\leq$ 3A Max

## General

Weight	240Wh/7.94 pound	320Wh/9.04 pound
Size	9.53*8.06*3.46 inch	
Operating temperature	14° F -104° F	
Illumination brightness	3W LED lighting	

## WARNING

1. Do not short-circuit the product connection. To avoid short circuits, keep away from all metal objects.
2. Do not heat this product or put into the fire, water or other liquids. Keep away from high ambient temperature. Do not expose the product to direct sunlight.
3. Keep the product away from humid and dusty places.
4. Do not disassemble or reassemble this product.
5. Do not drop, place heavy objects, or subject the product to strong shocks.
6. This product is not suitable for people suffering with physical disorder, sensitive or mental order disease.
7. Please keep this product out of reach of children.
8. Please do not cover the product with towels, clothes and other items.
9. Do not overcharge the product. After fully charging, disconnect the power immediately.
10. When charging, please stay away from TV, radio and other equipment to avoid radio wave interference.
11. If you do not use this product for a long time, please disconnect the cable before storing it in idle.
12. To charge some portable electronic devices, you may need to set these devices to charging mode first.
13. Please refer to the user manual of the corresponding device for

## **HOW TO USE IN COLD WEATHER**

Due to the chemical characteristics of lithium iron phosphate batteries, low temperature (14° F -104° F ) will affect the battery capacity of the product. If you are in an environment of minus degrees Celsius, it is recommended to put this product in an insulated container and connect it to a charging power source (12V car/AC adapter/solar panel, etc.). The natural heat generated by the product dissipated in an insulated container will keep the battery efficiency at its highest level.

In the environment of minus degrees Celsius, this product cannot be charged. This product can supply power to the device output.

## **DISPOSAL AND RECYCLING**

This product should not be disposed of together with domestic waste. Please dispose of or recycle this product and its battery in accordance with local regulations.

## **BATTERY INFORMATION**

This product is designed with an internal non-removable lithium iron phosphate rechargeable battery. Do not try to remove the battery, otherwise it may damage the equipment and endanger your personal safety.

The battery can be charged and discharged more than 2000 times, and it can still maintain more than 80% of the factory power.

## **WARRANTY**

Our company provides customers with a 12-month warranty from the date of purchase.

## **PACKING LIST**

- 1 × Portable emergency energy storage power supply
- 1 × Power adapter
- 1 × Cigarette lighter female connector
- 1 × Car charger
- 1 × MC4 Solar charge cable
- 1 × Type-c cable
- 1 × Warranty card
- 1 × User manual

## **CONTACT US**

If you have any questions or comments about our products, or for more details of our products please feel free to contact us 24/7. Thank you.

CTECHi Customer Support: [support@ctechi.com.cn](mailto:support@ctechi.com.cn)

# Shenzhen CPKD Technology Co.,LTD

Add : Jiada Industrial Park, Honghu East Road, Yanchuan Community,  
Yanluo Street, Baoan District, Shenzhen City, PRC

TEL : +86 755-8258-1455

WEB : [www.ctechipower.com](http://www.ctechipower.com)